

 **ITALDIBIPACK**

MAGIKA

STRETCH FILM FOOD WRAPPER

NEW PATENTED WORLDWIDE SYSTEM

- ✓ **SIMPLY THE BEST**
- ✓ **SAVE TIME AND MONEY**
- ✓ **EASY TO USE**

GREAT PERFORMANCES - MINIMAL INVESTMENT - FLEXIBILITY - QUALITY & EFFICIENCY - HIGH PRODUCTIVITY

The ideal solution for: Supermarkets - Cash & Carry - Stores - Butchers - Delicatessens - Bakeries - Fast Foods - Hospitals - Hotels - Meat processors - Seafood Processor - Fruits & Vegetables suppliers - Sandwich producers - Pasta & Pizza ...

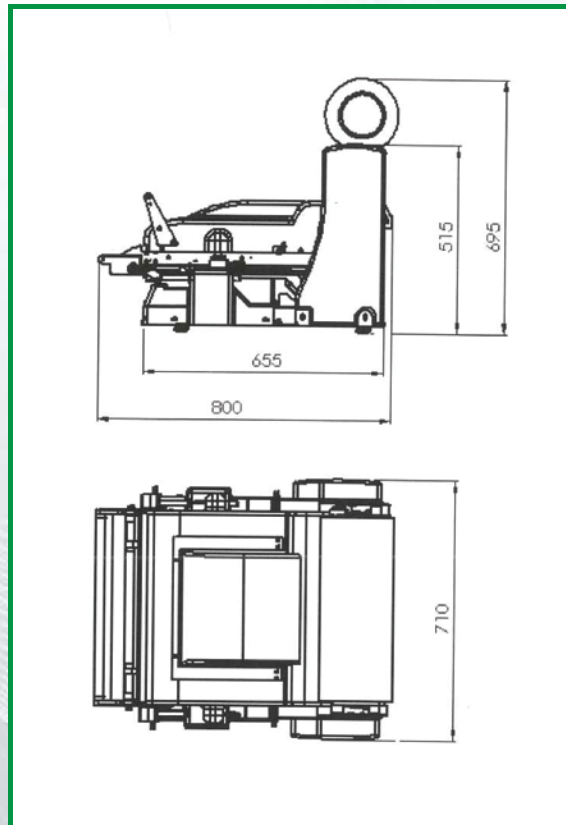


ITALDIBIPACK MAGIKA

STRETCH FILM FOOD WRAPPER

Main features

- Stainless steel frame
- Adjustable sealing plate temperature
- Possibility to store 3 working programs
- Counter
- Automatic cycle: the operator inserts the tray, closes the machine, removes the tray
- Adjustable film tension
- Easy adjustment
- Easy maintenance
- No specialization required for its use
- Versatility: it can wrap the majority of the commercial trays
- Cold system to cut the film without smoke emission



Specifications

- Power supply 0.5 kW @240 V 1 Ph 50/60 Hz
- Tray dimensions: min 130 x 90 x 10 mm - max 270 x 200 x 145 mm
- Reel external diameter 200 mm
- Core diameter 75 mm
- PE-PVC cling film for food, 8-40 micron thick
- Film width: min 400 max 500 mm
- Overall dimensions 700 x 350 x 515 mm
- Working height (machine on the foot) 180 mm


ITALDIBIPACK

Italdibipack S.p.A. - Via Europa, 35
20010 Pogliano Milanese - Milano (Italy)
tel. +39 02 9396461 - fax: +39 02 93549494
info@italdibipack.com - www.italdibipack.com