

# Leonardo

## THE MOST INGENUOUS ROBOTIC PALLET WRAPPER IN THE WORLD

Innovative high-technology patented devices,  
such as:

**TELESCOPIC  
MAST**  
PAT.

**ELECTRIC  
MANOEUVRING  
SYSTEM**  
PAT.

### **UNIQUE** *of its kind*

A little big genius capable of wrapping loads of any weight and area with stretch film and still more...

100% smaller working area than most robots because used with restricted space and when not required it can be moved away and the free space used for another purpose.

### **LITTLE** *thanks to*

- ✓ **RESTRICTED WORKING AREA**
- ✓ **COMPACT OVERALL DIMENSIONS AND REDUCED WEIGHT**
- ✓ **MAINTENANCE FREE**

### **GREAT** *thanks to*

- ✓ **HIGH QUALITY STANDARDS**
- ✓ **HIGH FUNCTIONALITY**
- ✓ **HIGH PERFORMANCES**

### **INCREDIBLE** *because of*

- ✓ **ITS PRICE/QUALITY RATIO**



# THE 7 GREATEST ADVANTAGES OF

# Leonardo

## A GENIUS IN PALLET WRAPPING

✓ **ELECTRIC MANOEUVRING SYSTEM** PAT.  
Reduces the working area even more in comparison with most robots

✓ **TELESCOPIC MAST** PAT.  
Makes handling and transport easier inside the operating areas

✓ **80% POWER PRE-STRETCH SYSTEM** PAT.  
fitted as standard - allows to work using film of less good quality

✓ **MICROPROCESSOR LOGIC BOARD** PAT.  
6 different pre-programmable memorized settings



✓ **MAINTENANCE FREE AND SEALED BATTERIES**  
no fill - recharged from standard 220 Volt power supply in any place

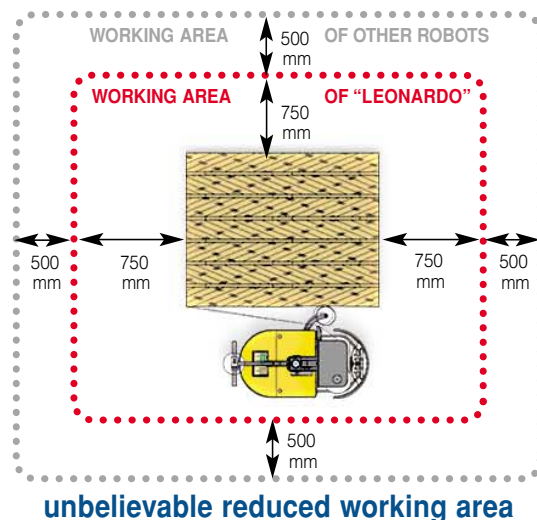
✓ **REDUCED OVERALL DIMENSIONS AND WEIGHT**  
approximately 50% less than most robots

✓ **EASY SHIPPING**  
no parts to be assembled, ready to work

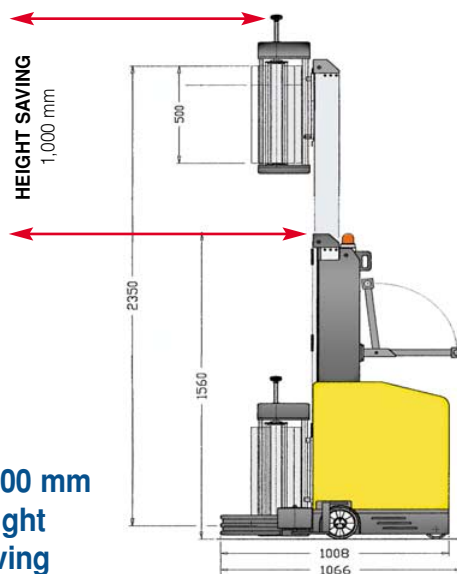
### TECHNICAL SPECIFICATIONS

Overall machine dimensions L x W x H	1066x738x1560 mm	
Machine weight	195 kg (batteries included)	
Power supply with 4 batteries	24 V cc	
Power supply	220 V / 1 Ph / 6 A	
Traction system with DC motors	24 V cc	
Motorized film-holder movement by chain	24 V cc	
Motorized pre-stretch system	24 V cc	
Up/down speed	adjustable	
Maximum wrapping height (measured at the top)	2350 mm	
Minimum pallet dimensions	less than 700x900x500 mm	
Maximum pallet dimensions	no limit	
Film: stretch PE film	thickness: 19/40 µ width: 500 mm	external roll Ø : 220 mm internal core Ø : 76 mm
Shipping dimensions L x W x H	800x1200x1700 mm	
Shipping gross weight	220 kg	

Rotation system around the pallet thanks to a touching wheeler  
Film tension, after power pre-stretch, adjustable by a potentiometer  
Load-height automatically detected by a photoeye or predetermined on control panel  
Bottom/middle/top revolution predetermined on control panel  
Only up-cycle  
Drive system through push buttons  
Sound and light working signal



### TELESCOPIC MAST



Specifications can be modified without prior notice

